

Cim 70B

GATE VALVE STANDARD TYPE - PN 20



This article was made in compliance with the quality management requirements of ISO 9001 standard. All articles are tested according to the EN 12266-1 standard.

It can be used in a wide variety of sectors: heating, air conditioning, water, sanitary systems, oil pipelines, gasoline networks, saturated steam and generally with any non corrosive liquid.

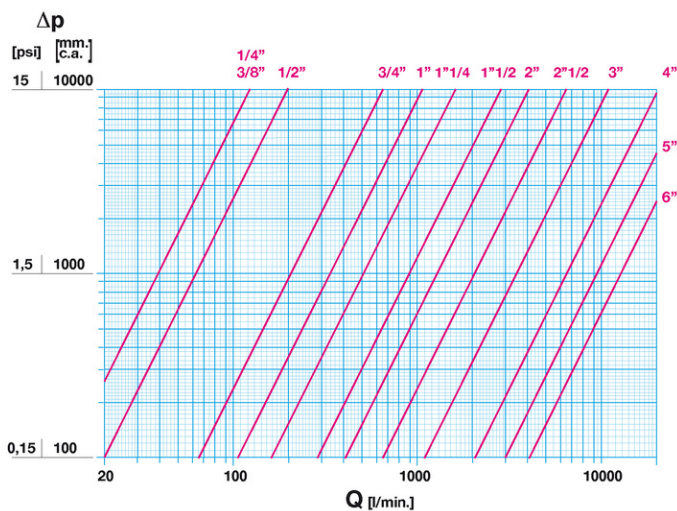
It is guaranteed for 5 years

Made of a brass alloy in compliance with standard EN 12165-CW617N-DW in sizes up to 4" and also of a bronze alloy made in compliance with standard EN 1982-CC491K in 5" and 6" sizes.

Nominal Pressure: PN20 (1/4" - 4"); PN10 (5" and 6")

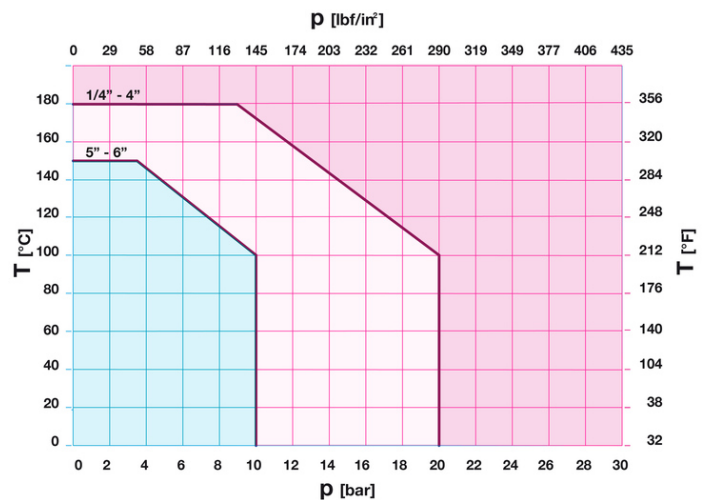
Operating temperature: -10 ÷ 180°C (1/4"÷4"); -10 ÷ 150°C (5" and 6")

FLOW AND PRESSURE DROP



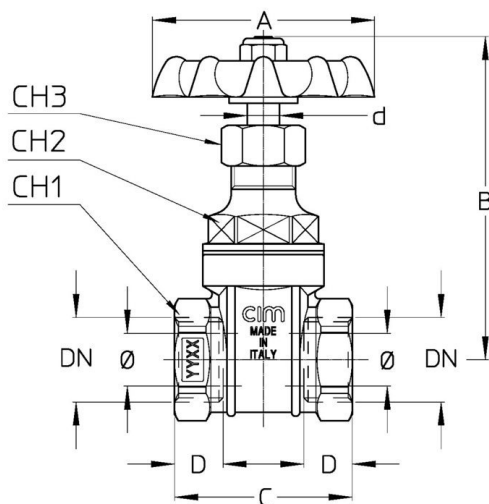
Notes:
 1 l/min = 0,06 m3/h
 1 m3/h = 16,67 l/min
 1 bar = 10.000 mm w.c.
 1 psi = 690 mm w.c.

PRESSURE TEMPERATURE RATINGS



Notes:
 1 bar = 14,5 psi
 1 bar = 14,5 lbf/in2
 °C = 5/9 x (°F-32)
 °F = 32 + (9/5 x °C)

TECHNICAL DRAWING



DN	1/4"	3/8"	1/2"	3/4"	1"	1"1/4	1"1/2	2"	2"1/2	3"	4"	5"	6"
Ø mm	12	12	13	19	24	32	37	47	59	70	94	118,5	140
Grms.	210	195	250	390	520	720	990	1440	2400	3455	5875	10605	14200
A	50	50	55	60	65	75	80	90	110	120	140	175	175
B	71	72	81	95	104,5	120,5	135	149	186	206,5	263	318	358
C	40	40	44	48	54	60	64	72	80	85	97	112	122
D	11	11	12	14	15	17	17	20,5	21	22	23,5	28	26
CH1	23	23	27	34	40	50	56	69	85	101	127	155	180
CH2	20	20	24	30	32	32	39	47	55	66	84	114	136
CH3	17	17	18	18	18	21	23	25	30	30	37	45	50
d	7	7	8	8	8	10	10	12	13	14	17	19	21

Thread:
ISO 228

TECHNICAL CHARACTERISTICS

KV													
DN	1/4"	3/8"	1/2"	3/4"	1"	1"1/4	1"1/2	2"	2"1/2	3"	4"	5"	6"
KV	7	7	12	39	61	96	171	246	372	660	1212	1500	1818

KV = Flow rate in m³/h with a pressure drop of 1 bar

REACH Regulation

According to article 33 of REACH Regulation, we inform you that the components made of bronze and brass alloys that are parts of the articles we supply, contain the lead (as alloy component) in a higher quantity of the limit of 0,1% in weight. Lead has been inserted in the list of SVHC substances nominated for the authorisation process, in the updating published by the European Chemical Agency ECHA on 27th June 2018. Lead has been introduced with the following information:

- Substance: Lead
- CAS: 7439-92-1
- EC: 231-100-4
- List: SVHC
- Data of Inclusion: 27th June 2018

Since lead is an element of the alloy, no exposure is expected and consequently, no further information is requested for the safe use of this product.

The list is available at the following link: <https://echa.europa.eu/it/candidate-list-table> and since it is a continuously updated list, we declare the constant monitoring about insertion of new substances and the prompt on time information to our customers in case such substances should be contained in the products we supply.

Make sure product materials and features are suitable for system scope and conform to the local regulations in force

OUR CERTIFICATIONS

