

## Cim 10G

### FULL BORE BALL VALVE FOR GAS - EN 331 - T10G SERIES - ALUMINIUM LEVER HANDLE



Manufactured according to management requirements of EN ISO 9001 standard.  
100% tested in accordance with EN 12266-1 standard.

Suitable for gas at low pressure, in detail:

Natural gas: gas by-product of oil (methane);

Town gas: manufactured through different processes (cracking - cokerie - etc.)

Liquid gas: propane and mixture of propane/butane gas.

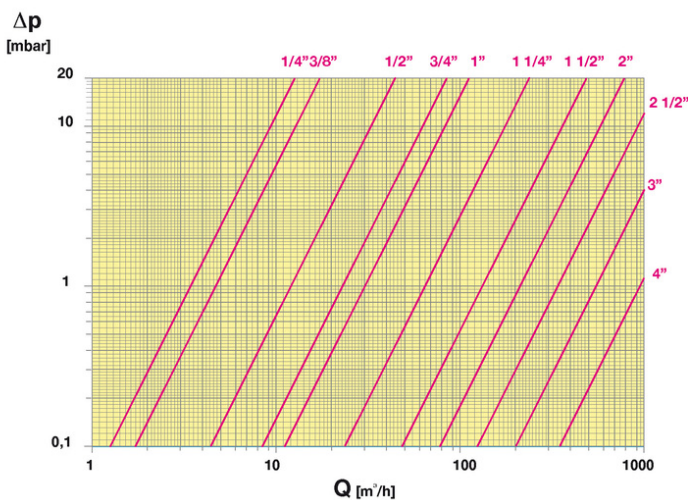
It is guaranteed for 5 years

It is made of a brass alloy that complies with standard EN 12165-CW617N-DW.

Nominal Pressure: MOP5

Operating temperature:  $-20 \div 60^{\circ}\text{C}$

### FLOW AND PRESSURE DROP

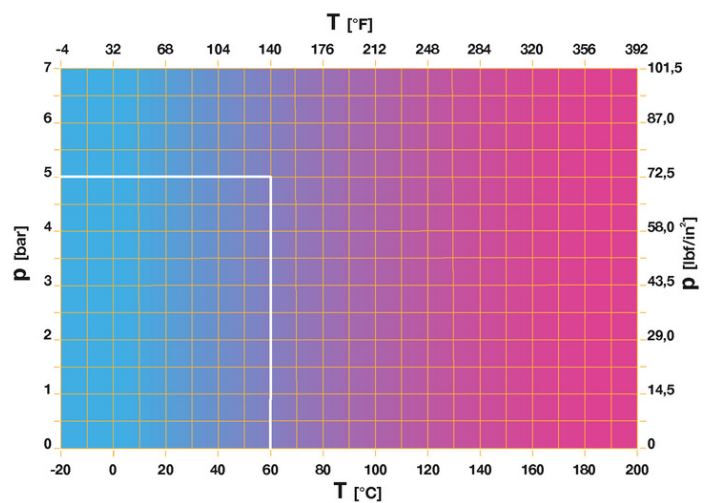


Notes:

1 psi = 68,95 mbar

1 mbar = 0,0145 psi

### PRESSURE TEMPERATURE RATINGS



Notes:

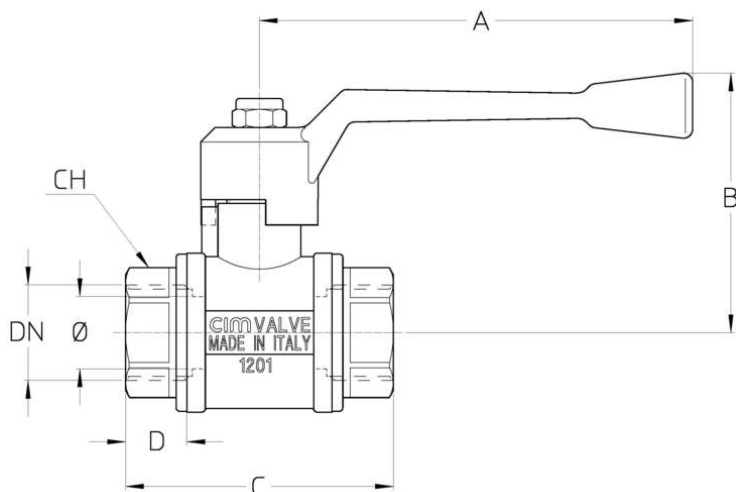
1 bar = 14,5 psi

1 bar = 14,5 lbf/in<sup>2</sup>

$^{\circ}\text{C} = 5/9 \times (^{\circ}\text{F} - 32)$

$^{\circ}\text{F} = 32 + (9/5 \times ^{\circ}\text{C})$

## TECHNICAL DRAWING



DN	1/4"	3/8"	1/2"	3/4"	1"	1"1/4	1"1/2	2"	2"1/2	3"	4"
Ø mm	10	10	15	20	25	32	40	50	63	76	100
<b>Grms.</b>	<b>180</b>	<b>185</b>	<b>340</b>	<b>610</b>	<b>830</b>	<b>1325</b>	<b>1730</b>	<b>3000</b>	<b>5800</b>	<b>8400</b>	<b>13500</b>
A	80	80	100	120	120	150	150	150	240	240	310
B	55	55	59	72	76	95	100	107	142,5	153,5	184,5
C	47	50	64	74	88	100,5	105,5	130	158	183	222
D	12,5	13,5	17	18,5	22	24	23	28,5	31	35	43
CH	18,5	21,5	27	32	41	49	55	70	86	100	128,5

Threads:  
ISO 7 - Rp

## TECHNICAL CHARACTERISTICS

KV CM CS MT											
DN	1/4"	3/8"	1/2"	3/4"	1"	1 1/4"	1 1/2"	2"	2 1/2"	3"	4"
Ø mm	10	10	15	20	25	32	40	50	63	76	100
KV	3,5	4,8	12	23	30	65	131	214	345	550	950
CM	1	1	3	4	5	8	10	13	15	17	19
CS	2	2	6	10	12	17	22	26	32	36	40
MT	10	10	20	45	45	92	93	93	280	280	550

KV = Capacity in m<sup>3</sup>/h at pressure drop of 1 mbar and inlet pressure of 25 mbar.

CM = Operating torque in Nm.

CS = Starting torque in Nm.

MT = Stem breaking torque in Nm.

### REACH Regulation

According to article 33 of REACH Regulation, we inform you that the components made of bronze and brass alloys that are parts of the articles we supply, contain the lead (as alloy component) in a higher quantity of the limit of 0,1% in weight. Lead has been inserted in the list of SVHC substances nominated for the authorisation process, in the updating published by the European Chemical Agency ECHA on 27th June 2018. Lead has been introduced with the following information:

- Substance: Lead
- CAS: 7439-92-1
- EC: 231-100-4
- List: SVHC
- Data of Inclusion: 27<sup>th</sup> June 2018

Since lead is an element of the alloy, no exposure is expected and consequently, no further information is requested for the safe use of this product.

The list is available at the following link: <https://echa.europa.eu/it/candidate-list-table> and since it is a continuously updated list, we declare the constant monitoring about insertion of new substances and the prompt on time information to our customers in case such substances should be contained in the products we supply.

Make sure product materials and features are suitable for system scope and conform to the local regulations in force

## OUR CERTIFICATIONS

