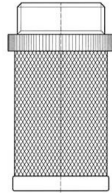


Cim 911

STAINLESS STEEL FILTER Cim 30A

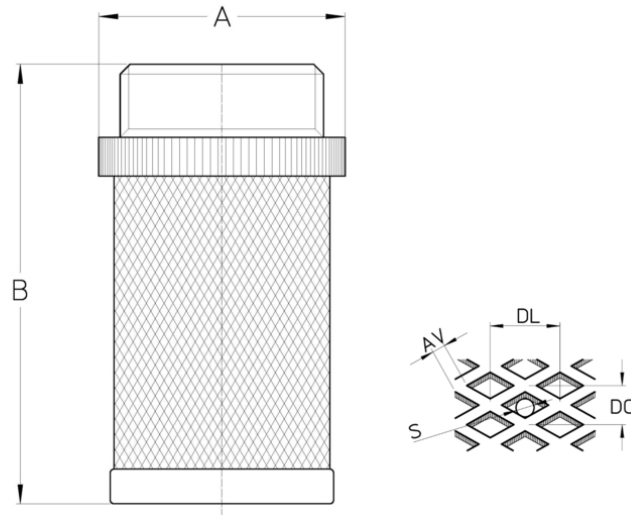


This article was made in compliance with the quality management requirements of ISO 9001 standard.
Accessory/original spare part for Cimberio products

It is guaranteed for 2 years.

It is made of AISI 304 stainless steel.

TECHNICAL DRAWING



DN	3/8"	1/2"	3/4"	1"	1"1/4	1"1/2	2"	2"1/2	3"	4"
Grms.	9	10	16	23	31	40	60,5	94	121	160
A	23	26	32	41	49	55	67	86	99	122
B	50	54	57	58	68	79	95	97	112	129
AV	0,6	0,6	0,6	0,6	0,6	0,6	0,6	0,6	0,6	0,6
DC	2	2	2	2	2	2	2	2	2	2
DL	4	4	4	4	4	4	4	4	4	4
S	1,1	1,1	1,1	1,1	1,1	1,1	1,1	1,1	1,1	1,1

Thread:
ISO 228

OUR CERTIFICATIONS

EAC